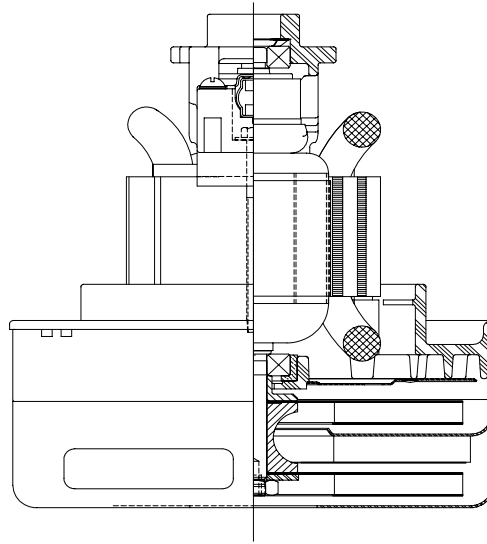


DESCRIPTION

- Two stage
- 120 volts
- 5.7"/145 mm diameter
- Double ball bearings
- Single speed
- Thru-flow discharge
- Aluminum fan end bracket
- Thermoset commutator bracket

DESIGN APPLICATION

- Equipment operating in environments not requiring separation of working air from motor ventilating air
- Designed to handle clean, dry, filtered air only



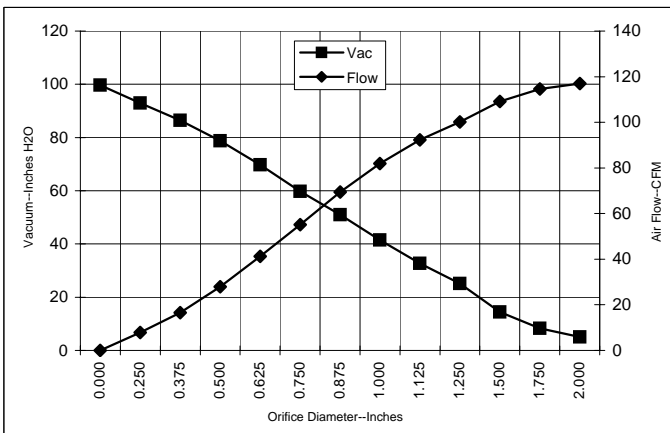
SPECIAL FEATURES

- Suitable for 120 volt AC operation, 50/60 Hz.
- UL recognized, category PRGY2 (E47185).
- CSA Certified, MC# 168884, Class 1611-01
- Provision for grounding.
- Skeleton-frame design.
- Thermostatic protection, automatic reset.
- Aluminum fan end bracket designed to dampen vibration and improve durability
- The GS vacuum motors offer a range of performance levels to meet design needs.

TYPICAL MOTOR PERFORMANCE.*

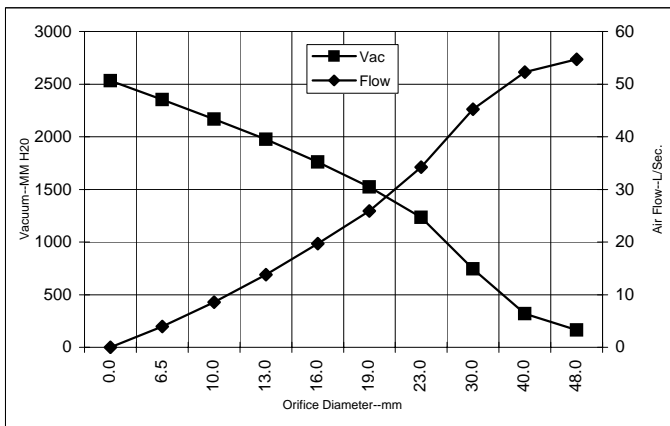
(At 120 volts, 60Hz, test data is corrected to standard conditions of 29.92 Hg, 68° F.)

ASTM DATA



Orifice (Inches)	Amps	Watts (In)	RPM	Vac (In.H ₂ O)	Flow (CFM)	Air Watts
2.000	10.0	1155	22490	5.1	117.0	69
1.750	10.0	1154	22490	8.3	114.6	112
1.500	10.0	1155	22490	14.4	109.1	184
1.250	10.0	1156	22490	25.1	100.1	296
1.125	10.0	1156	22490	32.7	92.3	355
1.000	9.9	1144	22685	41.5	81.9	400
0.875	9.6	1114	23080	51.0	69.4	416
0.750	9.1	1064	23680	59.8	55.1	387
0.625	8.5	995	24465	69.7	41.2	337
0.500	7.9	927	25455	78.7	27.9	258
0.375	7.3	857	26630	86.5	16.5	168
0.250	6.7	795	27805	93.0	7.9	86
0.000	6.3	746	28795	99.7	0.0	0

Metric DATA



Orifice (mm)	Amps	Watts (In)	RPM	Vac (mm H ₂ O)	Flow (L/Sec)	Air Watts
48.0	10.0	1155	22490	165	54.7	88
40.0	10.0	1155	22490	319	52.3	162
30.0	10.0	1156	22490	744	45.2	328
23.0	9.7	1122	22981	1235	34.2	412
19.0	9.1	1063	23696	1524	25.9	386
16.0	8.5	998	24434	1760	19.7	339
13.0	8.0	934	25356	1976	13.8	266
10.0	7.4	868	26454	2167	8.6	182
6.5	6.8	798	27746	2354	3.9	90
0.0	6.3	746	28795	2532	0.0	0

Note: Metric Performance data is calculated from the ASTM data above.

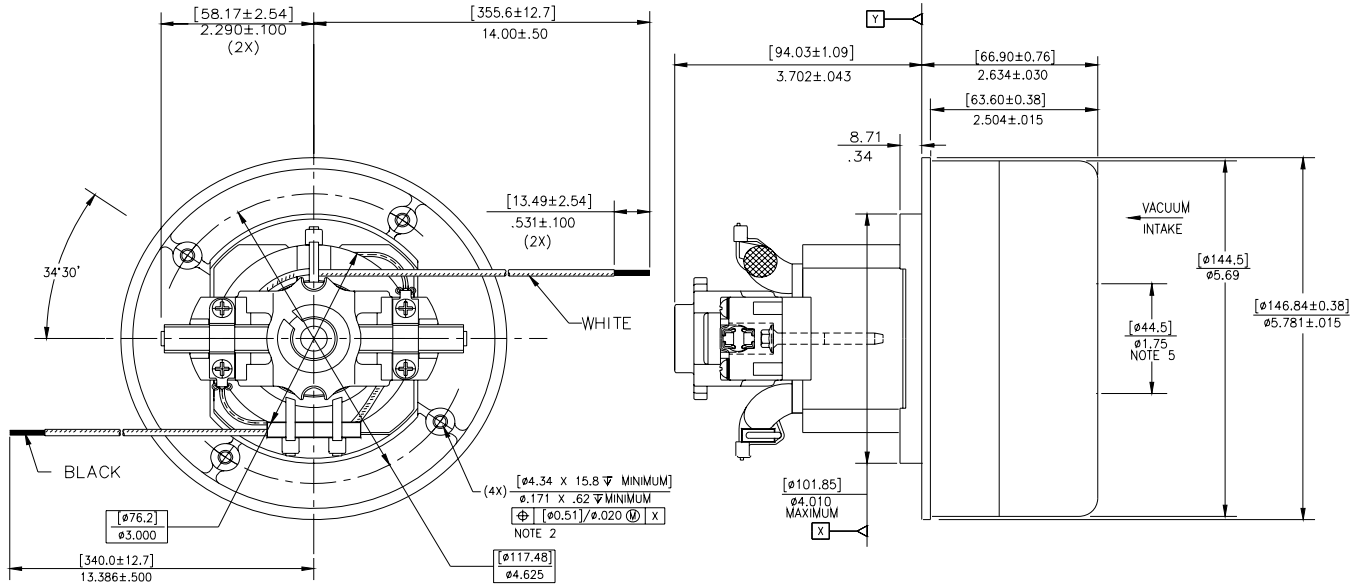
* Data represents performance of a typical motor sampled from a large production quantity. Individual motor data may vary due to normal manufacturing variations.

Test Specs: 120 volts	Minimum Sealed Vacuum: 89.0"	ORIFICE: 7/8 "	Minimum Vacuum: 45.0"	Maximum Watts: 1255
------------------------------	-------------------------------------	-----------------------	------------------------------	----------------------------

DIMENSIONS

NOTES:

1. LEADS: 18GA STRANDED, LEADS CAN BE ANY COLOR EXCEPT GREEN OR GREEN WITH YELLOW STRIPE.
2. END PLAY: ARMATURE SPRING LOADED AND LOCKED IN PLACE WITH ADHESIVE TO REMOVE END PLAY.
3. MOTOR IDENTIFICATION: MANUFACTURER'S NAME, MODEL NUMBER, VOLTAGE, FREQUENCY, INSPECTORS CODE, DATE OF MANUFACTURE, AGENCY RECOGNITION CODE, PLANT LOCATION CODE, AND MADE IN THE USA.
4. MOUNTING MUST NOT RESTRICT THIS DIAMETER.



IMPORTANT NOTE: Pictorial and dimensional data are subject to change without notice. Contact factory for current revision levels.

WARNING - AMETEK Global Motor Division thru-flow vacuum motors must never be used in applications in which wet or moist conditions are involved, where dry chemicals or other volatile materials are present, or where airflow may be restricted or blocked. Such motors are designed to permit the vacuumed air to pass over the electrical winding to cool it. Thus any foam, liquid (including water), dry chemical, or other foreign substance coming in contact with electrical conductors could cause combustion (depending on volatility) or electrical shock. Failure to observe these precautions could result in property damage and severe personal injury, including death in extreme cases. All applications incorporating Ametek commercial motors should be submitted to Underwriters Laboratories Inc. or other appropriate organizations or agencies for testing specifically related to the safety of your equipment.

AMETEK - Global Motors
627 Lake Street
Kent, Ohio 44240
U.S.A.
Tel: (330) 673-3451 Fax: (330) 677-3812
www.specialtymotors.com or www.lambelectric.com