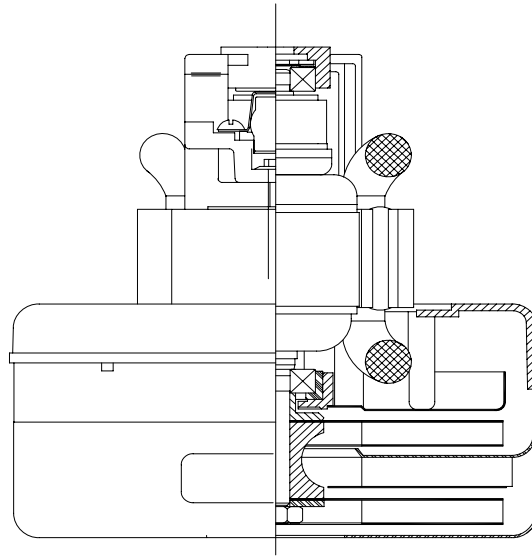


DESCRIPTION

- Two stage
- 120 volts
- 5.7"/145 mm diameter
- Ball/Ball bearings
- Single speed
- Thru-flow discharge
- Aluminum fan end bracket
- Thermoset commutator bracket

DESIGN APPLICATION

- Equipment operating in environments not requiring separation of working air from motor ventilating air
- Designed to handle clean, dry, filtered air only



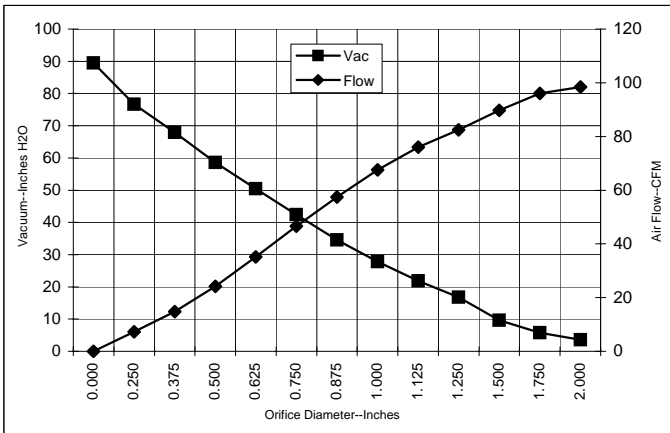
SPECIAL FEATURES

- Suitable for 120 volt AC operation, 50/60 Hz.
- UL recognized, category PRGY2 (E47185).
- CSA Certified, MC# 168884, Class 1611-01
- Provision for grounding.
- Skeleton-frame design.
- Thermostatic protection, automatic reset.
- Aluminum fan end bracket designed to dampen vibration and improve durability
- The GS vacuum motors offer a range of performance levels to meet design needs.

TYPICAL MOTOR PERFORMANCE.*

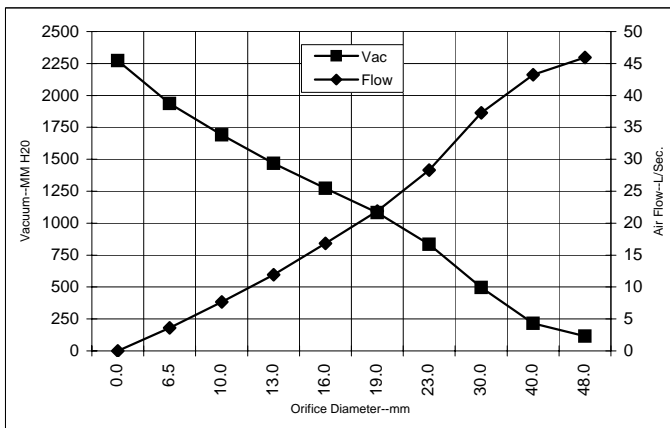
(At 120 volts, 60Hz, test data is corrected to standard conditions of 29.92 Hg, 68° F.)

ASTM DATA



Orifice (Inches)	Amps	Watts (In)	RPM	Vac (In.H2O)	Flow (CFM)	Air Watts
2.000	7.1	797	17860	3.5	98.4	41
1.750	7.1	802	17810	5.8	96.0	65
1.500	7.2	811	17710	9.6	89.7	101
1.250	7.3	820	17560	16.8	82.5	163
1.125	7.3	822	17510	21.8	76.0	195
1.000	7.3	814	17610	27.8	67.6	221
0.875	7.1	798	17810	34.6	57.4	233
0.750	6.8	767	18260	42.4	46.6	232
0.625	6.4	724	18970	50.5	35.2	209
0.500	5.9	675	19830	58.6	24.2	167
0.375	5.3	612	20935	68.0	14.8	118
0.250	4.8	559	22250	76.7	7.3	66
0.000	4.4	512	23410	89.5	0.0	0

METRIC DATA



Orifice (mm)	Amps	Watts (In)	RPM	Vac (mm H2O)	Flow (L/Sec)	Air Watts
48.0	7.1	799	17838	115	45.9	52
40.0	7.2	808	17740	215	43.2	90
30.0	7.3	821	17533	496	37.3	181
23.0	7.1	802	17760	835	28.3	230
19.0	6.8	766	18274	1082	21.9	232
16.0	6.4	726	18942	1274	16.8	210
13.0	6.0	680	19744	1468	11.9	171
10.0	5.4	621	20769	1690	7.7	125
6.5	4.8	562	22184	1937	3.6	69
0.0	4.4	512	23410	2272	0.0	0

Note: Metric performance data is calculated from the ASTM data above.

* Data represents performance of a typical motor sampled from a large production quantity. Individual motor data may vary due to normal manufacturing variations.

Test Specs:	120 volts	Minimum Sealed Vacuum:	83.0"	ORIFICE:	7/8 "	Minimum Vacuum:	32.0"	Maximum Watts:	885
--------------------	-----------	-------------------------------	-------	-----------------	-------	------------------------	-------	-----------------------	-----

